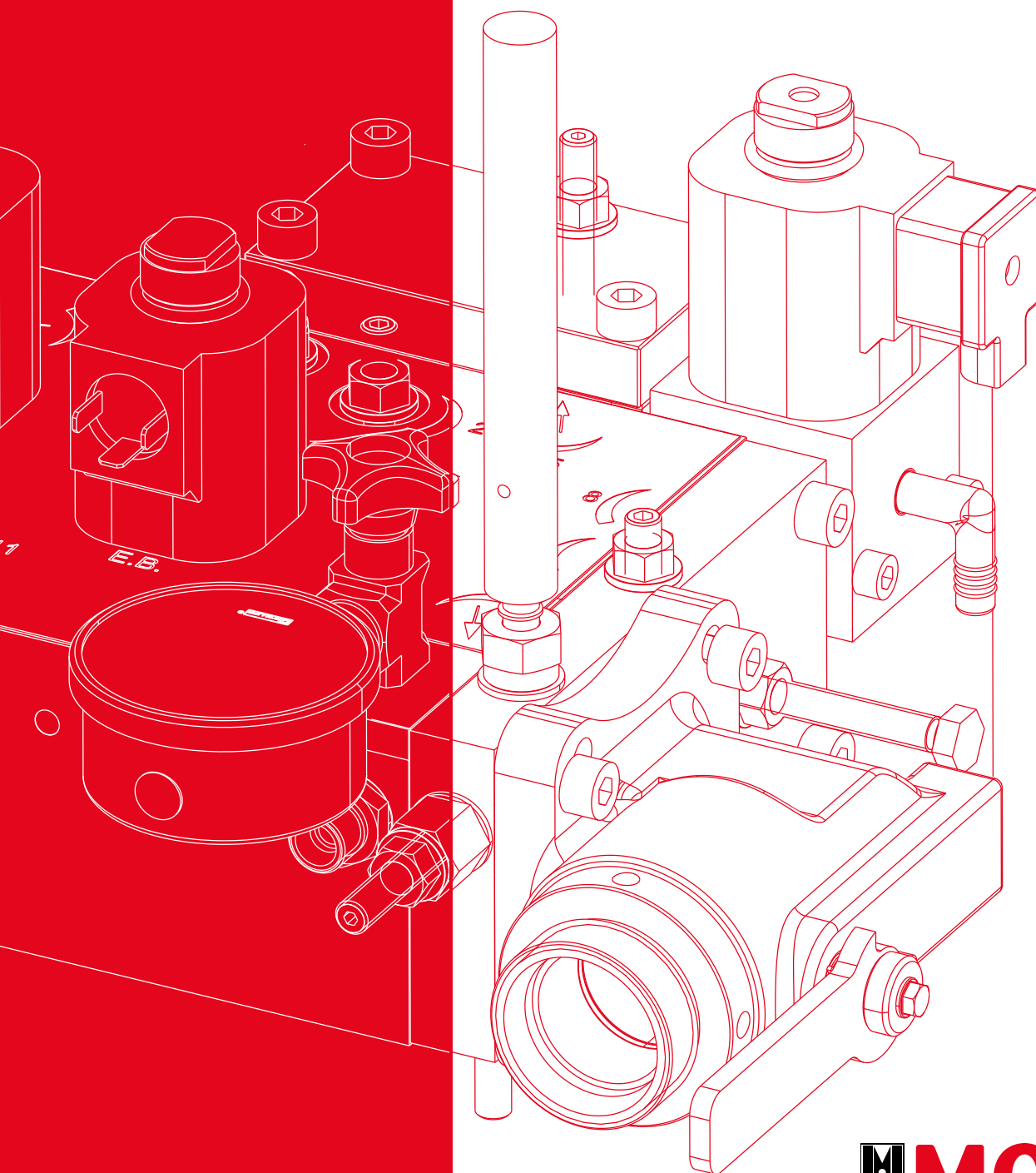
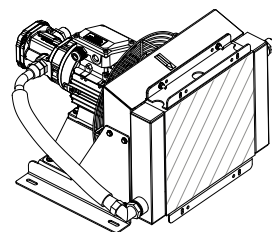


CENTRALINE

POWER UNIT



| | HL-300-MH2V HL-420-MH2V | HL-OIL-265-MH2V | HL-MTW | CM320-MARK2 | CM-MARK2 | CA | CA/A | CG | CG XL | CIF-2 |
|---|--|--|---|--|--|--|--|--|--|--|
| | | | | | | | | | | |
| DESTINAZIONE D'USO EQUIPMENT CATEGORY | HOME LIFT | HOME LIFT | HOME LIFT | HOME LIFT STANDARD LIFT | HOME LIFT STANDARD LIFT MONTACARICHI GOODS LIFT | STANDARD LIFT MONTACARICHI GOODS LIFT | STANDARD LIFT MONTACARICHI GOODS LIFT | STANDARD LIFT MONTACARICHI GOODS LIFT | STANDARD LIFT MONTACARICHI GOODS LIFT | STANDARD LIFT |
| TIPO VALVOLA DISTRIBUTOR TYPE | Mechanical, single and double speed- mh2v | Mechanical, single and double speed- mh2v | Mechanical, single and double speed- mh2v | Mechanical I-Valve / LRV | Mechanical I-Valve / LRV | Mechanical I-Valve / LRV | Mechanical I-Valve / LRV | Mechanical I-Valve / LRV | Mechanical I-Valve / LRV | Mechanical I-Valve / LRV |
| DIMENSIONI (mm) DIMENSIONS (mm) | HL-300 = 600x310x600 HL-420 = 600x430x600 | 670x265x690 | 260x240x1290 | 820x320x970 | 890x450x1040 | 1000x575x1130 | 1490x575x1130 | 1490x775x1260 | 1490x775x1560 | 1300x555x450 |
| CAPIENZA (l) OIL CAPACITY (l) | HL-300 Utile/working = 38 Minimo/minimum = 4 HL-420 Utile/working = 52 Minimo/minimum = 5 | Utile/Working = 40 Minimo/Minimum = 9 | Utile/Working = 40 Minimo/Minimum = 5 | Utile/Working = 110 Minimo/Minimum = 40 | Utile/Working = 150 Minimo/Minimum = 50 | Utile/Working = 245 Minimo/Minimum = 55 | Utile/Working = 310 Minimo/Minimum = 160 | Utile/Working = 600 Minimo/Minimum = 220 | Utile/Working = 830 Minimo/Minimum = 220 | Utile/Working = 200 Minimo/Minimum = 70 |
| PRESSIONI UTILIZZO (bar) OPERATING PRESSURES (bar) | Min. = 10 Max. = 50 | Min. = 10 Max. = 50 | Min. = 10 Max. = 50 | Min. = 12 Max. = 45 Min. = 12 Max. = 60 | Min. = 12 Max. = 45 Min. = 12 Max. = 60 | Min. = 12 Max. = 45 Min. = 12 Max. = 60 | Min. = 12 Max. = 45 Min. = 12 Max. = 60 | Min. = 12 Max. = 45 Min. = 12 Max. = 60 | Min. = 12 Max. = 45 Min. = 12 Max. = 60 | Min. = 12 Max. = 45 Min. = 12 Max. = 60 |
| PORTATA POMPA (l/min) NOMINAL PUMP OIL FLOW (l/min) | 8 to 30 | 8 to 30 | 8 to 23 | Mechanical 15/150 Electronic MiV 35/150 | Mechanical 55/210 Electronic MiV 55/210 | Mechanical 55/250 Electronic MiV 55/250 | Mechanical 55/380 Electronic MiV 55/380 | Mechanical 300/650 Electronic MiV 300/650 | Mechanical 300/650 Electronic MiV 300/650 | Mechanical 35/250 Electronic MiV 35/250 |
| POTENZA MOTORE (kW/HP) MOTOR POWER (kW/HP) | 0,75/(1) to 3/(4) | 0,75/(1) to 3/(4) | 0,75/(1) to 2,2/(3) | Mechanical 02/15 (2,7/20) Electronic MiV 02/15 (2,7/20) | Mechanical 4,5/18,5 (6/25) Electronic MiV 4,5/18,5 (6/25) | Mechanical 4,5/30 (30/40) Electronic MiV 4,5/30 (30/40) | Mechanical 4,5/37 (6/50) Electronic MiV 4,5/37 (6/50) | Mechanical 12/75 (16/100) Electronic MiV 12/75 (16/100) | Mechanical 12/75 (16/100) Electronic MiV 12/75 (16/100) | Mechanical 2/22,5 (2,7/30) Electronic MiV 2/22,5 (2,7/30) |
| ARMADIO L.M. MACHINEROOM CABINET | HL-300 = 700x400x1400 HL-420 = 700x520x1400 | 770x400x1530 | Non disponibile Not available | 950x400x2100 | 1030x620x2100 | 1090x740x2100 | Non disponibile Not available | Non disponibile Not available | Non disponibile Not available | Non disponibile Not available |
| CARATTERISTICHE MAIN ADVANTAGES | Economica Confortevole Efficienza energetica Cost efficient Smooth ride Energy efficient | Silenziosa Confortevole Maximum noise reduction Smooth ride | Silenziosa Confortevole Dimensioni compatte Maximum noise reduction Smooth ride Compact dimensions | Compatta Silenziosa Silent Compact dimensions | Silenziosa Modulare Silent Modular | Impianti ad alta portata e lunghe corse High-capacity long-travel elevators | Impianti ad alta portata e lunghe corse High-capacity long-travel elevators | Impianti ad alta portata e lunghe corse Realizzazioni speciali High-capacity long-travel elevators Special equipments | Impianti ad alta portata e lunghe corse Realizzazioni speciali High-capacity long-travel elevators Special equipments | Posizionabile nella fossa standard Comandi di emergenza remotati Positioned in the pit Remoted emergency commands |

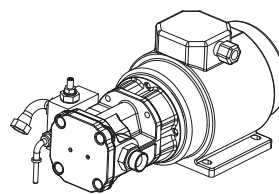


SCAMBIATORE

Consigliato per edifici pubblici, ospedali, impianti ad alta affluenza, l'utilizzo garantisce il funzionamento ottimale del Vostro ascensore in condizioni di traffico elevato. Disponibile per tutti i modelli di centraline Lift.

HEAT EXCHANGER

Recommended for public buildings, hospitals, high-traffic facilities, the use guarantees optimum operation of your lift in high traffic conditions. Available for all models of hydraulic power units.

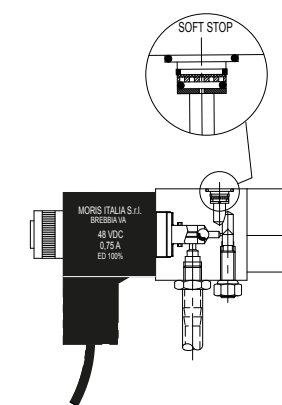


POMPA DI MICROLIVELLAMENTO

Consigliata per impianti montacarichi, montauto, elevata portata, garantisce il mantenimento del livello cabina al piano aumentando la sicurezza delle operazioni di carico e scarico. La potenza (2,2 kW) del motore ausiliario riduce il consumo elettrico e l'usura del gruppo motore/pompa principale.

MICRO LEVELLING PUMP

Recommended for lifts, car lifts systems, high flow, ensures the maintenance of the car at the floor level by increasing the safe loading and unloading operations. The power (2.2 kW) of the auxiliary motor reduces power consumption and engine wear group/main pump.



SOFT STOP

Adatto a garantire il massimo confort nelle installazioni presso Hotel, strutture di prestigio, cliniche sanitarie, la valvola SOFT-STOP interviene per regolare la fase di arresto della cabina in maniera dolce in tutte le condizioni di carico.

SOFT STOP

Suitable for maximum comfort in the installations at hotels, luxury facilities, health clinics, the SOFT-STOP valve intervenes to adjust the phase of arrest in a gentle way cabin in all load conditions.

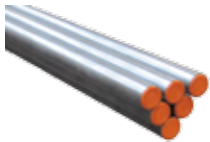


TUBO FLESSIBILE

Disponibile nelle versioni da 3/4" a 2" con lunghezze variabili di metro in metro, fornito con relativa scheda di collaudo.

TUBO-FLEX

Available from 3/4" to 2" in varying lengths meter by meter, supplied with the test report.



TUBO RIGIDO

Disponibile in barre da 6 m, complete di raccorderia dritte o a 90°, con diametri da 35x2,5 mm e 42x3 mm.

STEEL PIPE

Available in bars of 6m, complete with straight fittings or at 90°, with diameters from 35x2,5 mm and 42x3 mm.

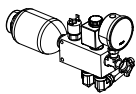


OLIO

A completamento della fornitura, olio a base minerale severamente raffinato tipo 46 in fusti da 20 l cad. uno, viscosità 40°C, infiammabilità V.A. 220 °C, punto di scorrimento -21 °C.

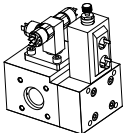
OIL

On completion of the supply, severely refined mineral base oil 46 in tanks 20 l, viscosity 40° C, Flash V.A. 220 ° C, pour point -21° C.



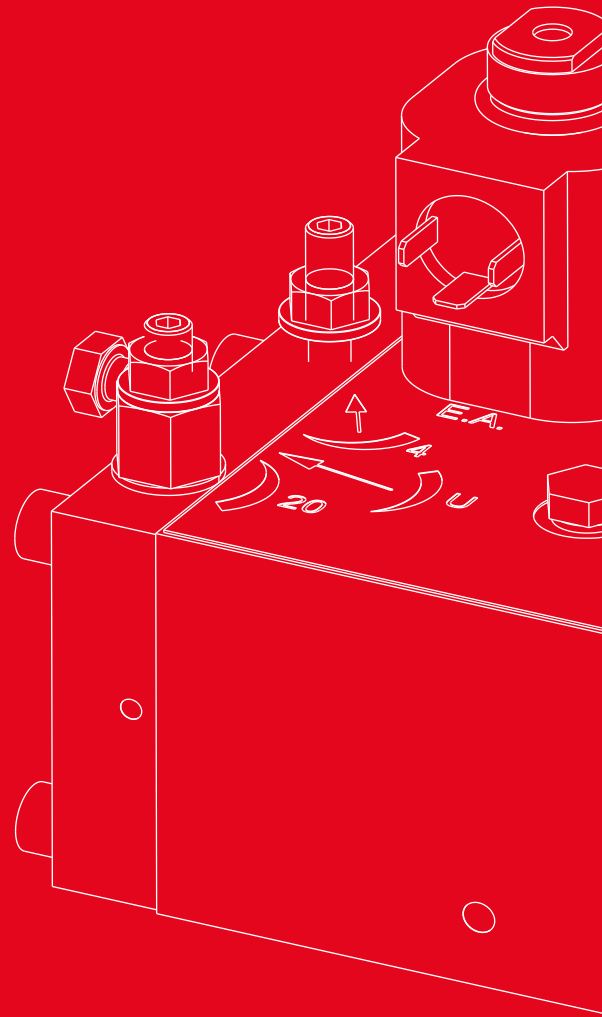
DISPOSITIVI PER EMENDAMENTO A3

Kit di protezione contro i movimenti incontrollati degli ascensori idraulici, disponibili nella versione brevettata KMI e nella versione HM-SV.



DEVICE FOR A3 AMENDMENT

Kits for protection against uncontrolled movements of the hydraulic lifts, available in the patented version KMI and HM-SV version.



Le foto, i disegni e i colori hanno valore indicativo e non vincolante. Moris Italia si riserva di apportare modifiche senza preavviso.

Pictures, drawings, colours and other characteristics may change without warning.



 **MORIS**

MORIS ITALIA SRL

Sede legale // Legal head office
Via Perin Del Vaga, 12 - 20156 Milano

Sede operativa // Headquarters
Via Per Cadrezzate, 21/C - 21020 Brebbia (Va)