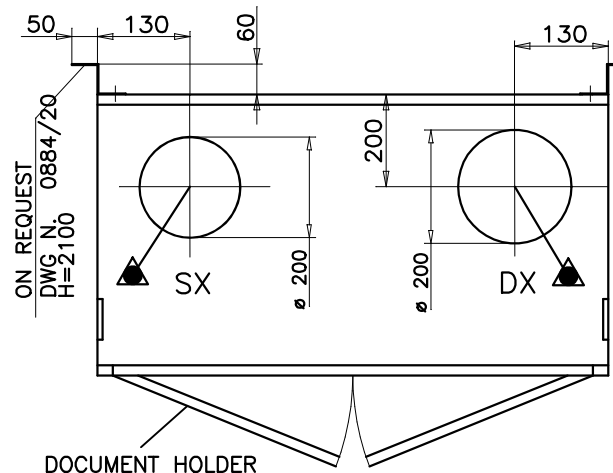


SECTION: X-X



P. UNIT MODEL	A	B	C	D	E	MASS Kg	FIGURE N°
HL320/R	800	400	253	1200	1140	65	0884/CM3/R-...
CM320/R MARK2							

NOTE:
 ▲ - PRE-CUT OPENING FOR WIRING AND PIPING ACCESS

UT						DATE	04/21
						DWG N.	9680/2A1