

OIL QUANTITY	Litres
MINIMUM LEVEL	45
USEFUL OIL	70
TOTAL OIL	115

POWER UNIT WEIGT WITHOUT OIL	Kg
	115

THREE-PHASE MOTORL 400V - 50HZ (230V - 50HZ)				
CV	kW	Ø	I _N A	I _A A
1	0.75	14	1.8 (3.2)	△
1.5	1.1	14	2.4 (4.2)	
2	1.5	14/19	4 (7)	
2,7	2	14/19	5.1 (8.9)	
3	2.2	14/19	6 (10.3)	
4	3.0	19	7.4 (12.9)	

MONO-PHASE MOTOR 230V - 50HZ				
CV	kW	Ø	I _N A	I _A A
1	0.75	14	5.3	△
1.5	1.1	14	8.3	
2	1.5	14	11	
2.5	1.8	14	12.8	
3	2.2	14/19	15	
4	3.0	14/19	17.5	
5	3.7	19	22.4	

- DISTRIBUTOR: MH-2V

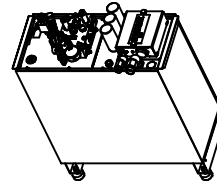
- CONFIGURABLE HORIZONTAL/VERTICAL OUTLET (*) WITH FLEX-PIPE 3/4" (M30x2),

- AUXILIARY TANK AGAINST POWER UNIT OIL SPILLS: SEE TAB. 9291

- CABINET ARRANGEMENT: SEE CAP.16

- HEAT EXCHANGE ARRANGEMENT (**OPTIONAL)

△ - STARTING CURRENT: $\sim I_A = I_N \times 3$



PUMP L/1'	RAM		STATIC PRESSURE IN BARS																		TOTAL LOAD (P+Q=KG)		
	(Ø 19)	(Ø 14)	Ød	e	13	15	17	19	21	23	25	27	29	31	33	35	37	39	41	43		45	46
	30	23	18	5	7,5	202	241	281	320	359	398	438	477	516	556	595	634	673	713	752		791	830
0.25	0.19	0.15	50	5	202	241	281	320	359	398	438	477	516	556	595	634	673	713	752	791	830	870	TOTAL LOAD (P+Q=KG)
				7,5	188	227	267	306	345	384	424	463	502	542	581	620	659	699	738	777	816	856	
0.17	0.13	0.10	60	5	280	335	392	450	505	562	618	675	732	788	845	901	958	1015	1071	1128	1184	1240	
				7,5	255	312	368	425	481	538	594	651	707	764	820	877	933	990	1046	1103	1160	1216	
0.12	0.09	0.07	70	5	380	458	535	612	688	766	843	920	997	1074	1151	1227	1305	1382	1458	1535	1612	1689	
				7,5	348	425	502	579	656	733	810	887	964	1041	1118	1195	1272	1349	1426	1503	1580	1657	
0.10	0.07	0.06	80	5	500	604	704	805	905	1006	1106	1207	1307	1408	1508	1609	1709	1810	1910	2011	2111	2212	
				7,5	448	548	649	749	850	950	1051	1151	1252	1352	1453	1554	1654	1755	1855	1956	2056	2157	
0.08	0.06	0.05	85	7,5	495	609	722	836	949	1063	1176	1290	1403	1517	1630	1744	1857	1971	2084	2198	2311	2425	
				5	630	762	890	1017	1144	1271	1398	1526	1653	1780	1908	2035	2162	2289	2416	2544	2671	2798	
0.08	0.06	0.05	90	7,5	562	689	816	944	1071	1198	1325	1453	1580	1707	1834	1962	2089	2216	2343	2471	2598	2725	
				12	462	590	717	844	971	1098	1225	1353	1480	1607	1734	1861	1988	2116	2243	2370	2497	2624	
0.06	0.05	0.04	100	5	790	949	1106	1264	1420	1578	1735	1892	2049	2206	2363	2520	2677	2835	2991	3148	3306	3463	
				7,5	706	863	1020	1177	1334	1491	1648	1806	1963	2120	2277	2434	2591	2748	2905	3062	3219	3376	
				12	471	628	785	942	1099	1256	1414	1571	1728	1885	2042	2199	2356	2513	2670	2827	2984	3141	

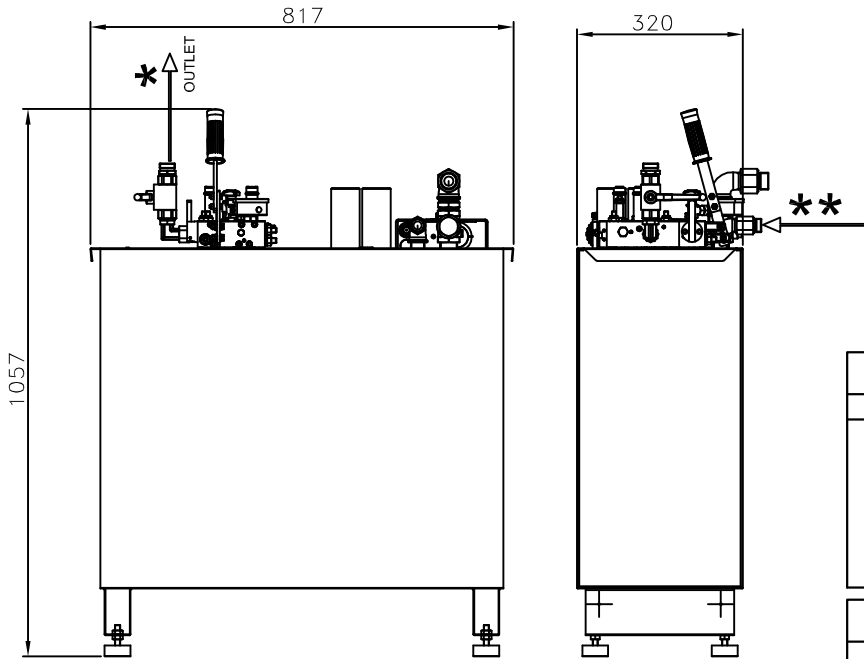
- THE WEIGHT INDICATED IN THIS TABLE HAS BEEN CALCULATED CONSIDERING THE ROD WEIGHT FOR MAXIMUM STROKE (SEE DWG 9020/... 9030/...)

UT	
----	--

DATA SHEET

POWER UNIT HL320-R-MARK2-MH2V

DATE	12/18
DWG Nr.	9018/HL320RMK2MH2V



OIL QUANTITY	Litres
MINIMUM LEVEL	50
USEFUL OIL	85
TOTAL OIL	135

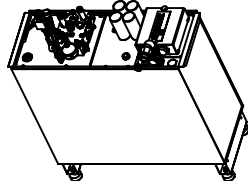
POWER UNIT WEIGT WITHOUT OIL	Kg
	117

THREE-PHASE MOTORL 400V - 50HZ (230V - 50HZ)				
CV	kW	Ø	IN A	IA A
1	0.75	14	1.8 (3.2)	△
1.5	1.1	14	2.4 (4.2)	
2	1.5	14/19	4 (7)	
2,7	2	14/19	5.1 (8.9)	
3	2.2	14/19	6 (10.3)	△
4	3.0	19	7.4 (12.9)	

MONO-PHASE MOTOR 230V - 50HZ				
CV	kW	Ø	IN A	IA A
1	0.75	14	5.3	△
1.5	1.1	14	8.3	
2	1.5	14	11	
2.5	1.8	14	12.8	
3	2.2	14/19	15	
4	3.0	14/19	17.5	△
5	3.7	19	22.4	

- DISTRIBUTOR: MH-2V
- CONFIGURABLE HORIZONTAL/VERTICAL OUTLET (*) WITH FLEX-PIPE 3/4" (M30x2)
- AUXILIARY TANK AGAINST POWER UNIT OIL SPILLS: SEE TAB. 9291
- CABINET ARRANGEMENT: SEE CAP.16
- HEAT EXCHANGE ARRANGEMENT (**OPTIONAL)

△ - STARTING CURRENT: $\sim I_A = I_N \times 3$



SPEED OF RAM IN UPWARD DIRECTION /M/SEC (A. LOAD)	PUMP L/1'			RAM	STATIC PRESSURE IN BARS																				TOTAL LOAD (P+Q=KG)																
	Ø19	Ø14	Ø10		Ød	e	12	13	14	15	16	17	18	19	20	21	22	23	24	25	26	27	28	29		30	31	32	33	34	35	36	37	38	39	40	41	42	43	44	45
	30	23	18		50	5	202	241	281	320	359	398	438	477	516	556	595	634	673	713	752	791	830	870																	
0.25	0.19	0.15	50	7.5	188	227	267	306	345	384	424	463	502	542	581	620	659	699	738	777	816	856																			
				5	280	335	392	450	505	562	618	675	732	788	845	901	958	1015	1071	1128	1184	1240																			
0.17	0.13	0.10	60	7.5	255	312	368	425	481	538	594	651	707	764	820	877	933	990	1046	1103	1160	1216																			
				5	380	458	535	612	688	766	843	920	997	1074	1151	1227	1305	1382	1458	1535	1612	1689																			
0.12	0.09	0.07	70	7.5	348	425	502	579	656	733	810	887	964	1041	1118	1195	1272	1349	1426	1503	1580	1657																			
				5	500	604	704	805	905	1006	1106	1207	1307	1408	1508	1609	1709	1810	1910	2011	2111	2212																			
0.10	0.07	0.06	80	7.5	448	548	649	749	850	950	1051	1151	1252	1352	1453	1554	1654	1755	1855	1956	2056	2157																			
				12	365	466	566	667	767	869	968	1069	1169	1270	1370	1471	1571	1672	1772	1873	1973	2074																			
0.08	0.06	0.05	85	7.5	495	609	722	836	949	1063	1176	1290	1403	1517	1630	1744	1857	1971	2084	2198	2311	2425																			
				5	630	762	890	1017	1144	1271	1398	1526	1653	1780	1908	2035	2162	2289	2416	2544	2671	2798																			
0.08	0.06	0.05	90	7.5	562	689	816	944	1071	1198	1325	1453	1580	1707	1834	1962	2089	2216	2343	2471	2598	2725																			
				12	462	590	717	844	971	1098	1225	1353	1480	1607	1734	1861	1988	2116	2243	2370	2497	2624																			
0.06	0.05	0.04	100	7.5	790	949	1106	1264	1420	1578	1735	1892	2049	2206	2363	2520	2677	2835	2991	3148	3306	3463																			
				12	471	628	785	942	1099	1256	1414	1571	1728	1885	2042	2199	2356	2513	2670	2827	2984	3141																			
					18	1.5 (1.1) Ø14					2 (1.5) Ø14					2.5 (1.8) Ø14										MONO-PHASE 50 Hz 230V ± 10%															
					23	2 (1.5) Ø14					2.5 (1.8) Ø14					3 (2.2) Ø14					4 (3) Ø14										MONO-PHASE 50 Hz 230V ± 10%										
					30	3 (2.2) Ø19										4 (3) Ø19					5 (3.7) Ø19										THREE-PHASE 50 Hz 230V ± 10%										
					18	1 (0.75) Ø14			1.5 (1.1) Ø14			2 (1.5) Ø14															THREE-PHASE 50 Hz 230V ± 10%														
					23	1.5 (1.1) Ø14			2 (1.5) Ø14			3 (2.2) Ø14															THREE-PHASE 50 Hz 230V ± 10%														
					30	2.7 (2) Ø19										4 (3) Ø19															THREE-PHASE 50 Hz 230V ± 10%										

- THE WEIGHT INDICATED IN THIS TABLE HAS BEEN CALCULATED CONSIDERING THE ROD WEIGHT FOR MAXIMUM STROKE (SEE DWG 9020/... 9030/...)

UT	
----	--

DATA SHEET

POWER UNIT HL320-MARK2-MH2V

DATE	12/18
DWG Nr.	9018/HL320MK2MH2V